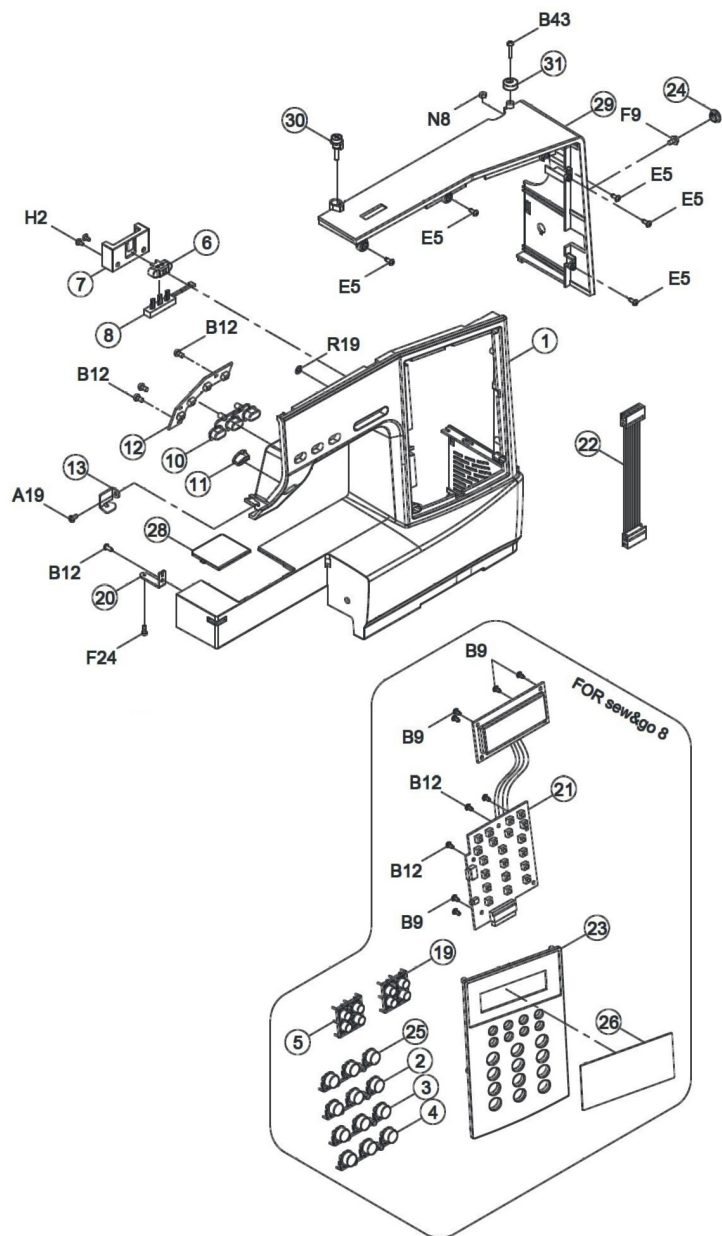


Zur Zeit ist
leider kein Bild
vorhanden.

Spare Parts

Sew & Go 8

Sew & Go 8

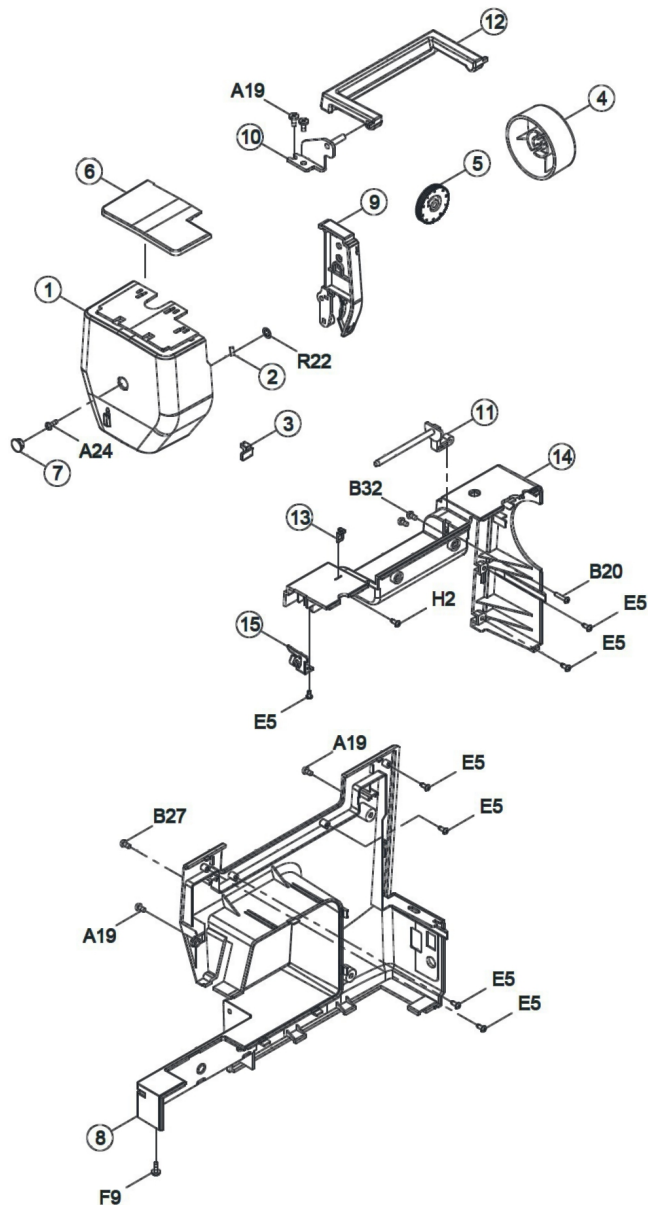


Front cover

Pos	Item number	Description	Supplier Part no.
1	5020209345	Front Cover Sew&Go8	H2HC013892
2	5020209354	Numeral Button (4/5/6)	H2HN063892
3	5020209355	Numeral Button (7/8/9)	H2HN073892
4	5020209356	Numeral Button (0)	H2HN083892
5	5020209351	Stitch Length Button	H2HN033892
6	5020209360	Slide Volume Knob	H2HZ123892
7	5020209333	Slide Volume Knob Connector	D3B4043210
8	5020209331	Slide Volume	008H5E0004
10	5020209350	Function Select Button	H2HN023892
11	5020209349	Start Push Button	H2HN013892
12	5020209221	Key Switch Circuit Board	008H1H0003
19	5020209352	Stitch Width Button	H2HN043892
20	5020210017	Arm front cover set plate	E1A1623002
21	5020209224	Pattern Select Circuit board	008H2H0002
22	5020209330	Row Line	008H1E0003
23	5020209357	Front Decorated Plate	H2HP033892
24		Plug	E9R0803161
25	5020209353	Numeral Button (1/2/3)	H2HN053892
26	5020209344	Lcd Plastic Cover	H2HA073031
28	5020209190	Needle plate cover	H2A0053000
29	5020209343	Front Cover_Panel	H2HA063161
30	5020209218	Bobbin winder thread guide cpl	K6A1284000
31	5020210021	Bobbin winder	K6B0393000
A19	5020206112	Screw (M4*0.7*L8)	004240106
B9	5020209390	Screw (M3*0.5*L6)	004230086
B12		SET SCREW (M3x8 B)	004230126
B43	5020206101	Screw (SM9/64-40*L16)	004106162
E5	5020209419	Screw (M3*0.5*L8.5)	004230216
F9	5020208929	Screw (M4*0.7*L8) (SET OF 10)	004240586
H2	5020210089	Set screw (M3*0.5*L8)	004230842
N8	5020206124	Nut (9/64x40 t=3)	004706013
R19	5020209414	Ring (CSTW-3, □2.8*□8*0.25)	003020033

Sew & Go 8

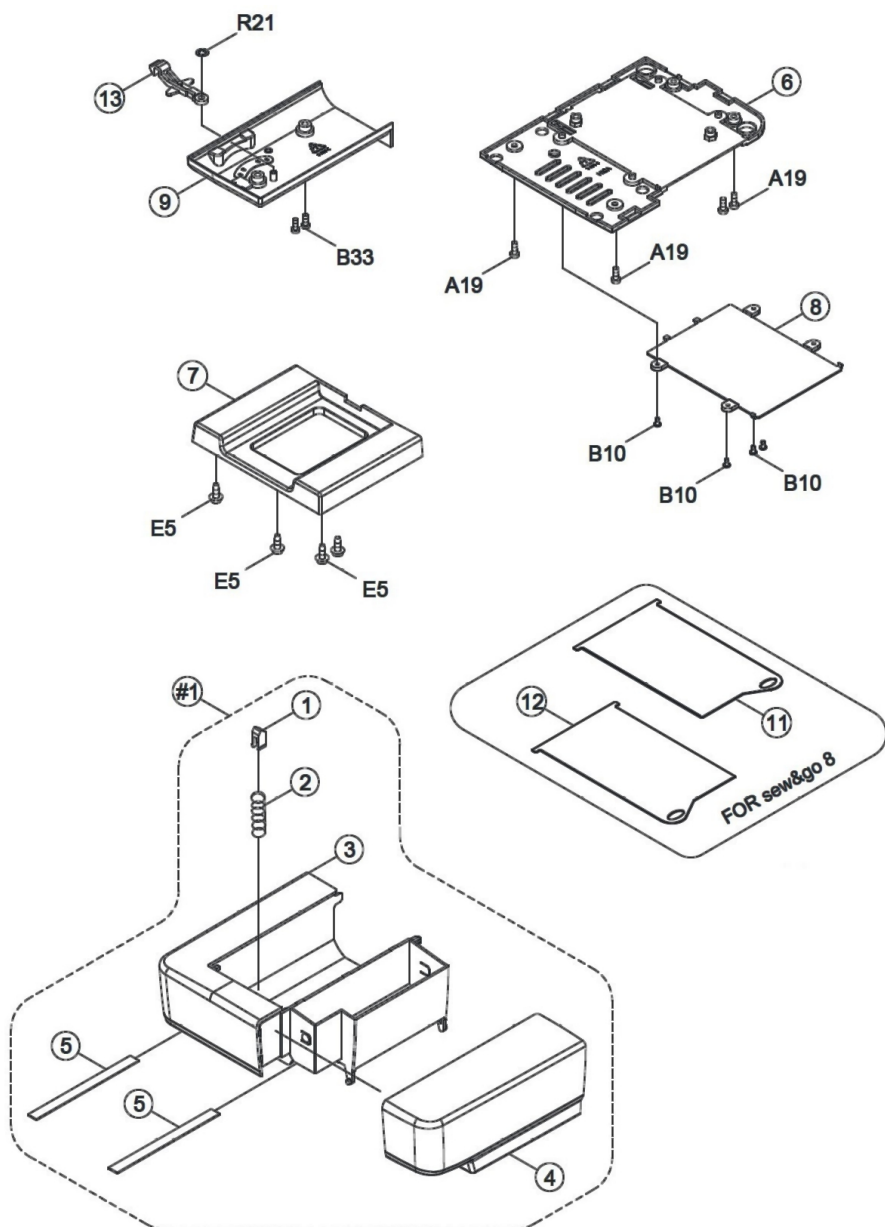
PRINCIPAL COVER COMPONENTS 2



Pos	Item number	Description	Supplier Part no.
1		Face Cover	H2HZ093892
2	5020210209	Cutter	V630593000
3	5020210396	BH Lever button	H1AA023892
4	5020209337	Hand Wheel	H1B0343161
5		DIAL TENSION KNOB	K5BD013892
6	5020209347	Face Panel	H2HF023161
7	5020205890	Cap	E9R0803892
8	5020209358	Back Cover	H2HZ033892
9		DIAL TENSION SUPPORTER PLATE COVER	H2HZ053161
10		ARM TOP COVER PLATE CPL.	V62033006
11	5020206069	Spool Pin Shaft	E9R0673892
12	5020209361	Handle	H2HZ133161
13	5020209437	Thread Guide	H1B0603001
14	5020209342	Back Cover_Planel	H2HA053161
A19	5020206112	Screw (M4*0.7*L8)	004240106
B20		SET SCREW (M3x16.7 B)	004230646
B27	5020206110	Screw (M4*0.7*L6)	004240056
B32	5020210028	Set screw (m4x12 b)	004240526
E5	5020209419	Screw (M3*0.5*L8.5)	004230216
F9	5020208929	Screw (M4*0.7*L8) (SET OF 10)	004240586
H2	5020210089	Set screw (M3*0.5*L8)	004230842
R22	5020208142	Ring (CSTW-5, □4.8*□10*0.25)	003020053

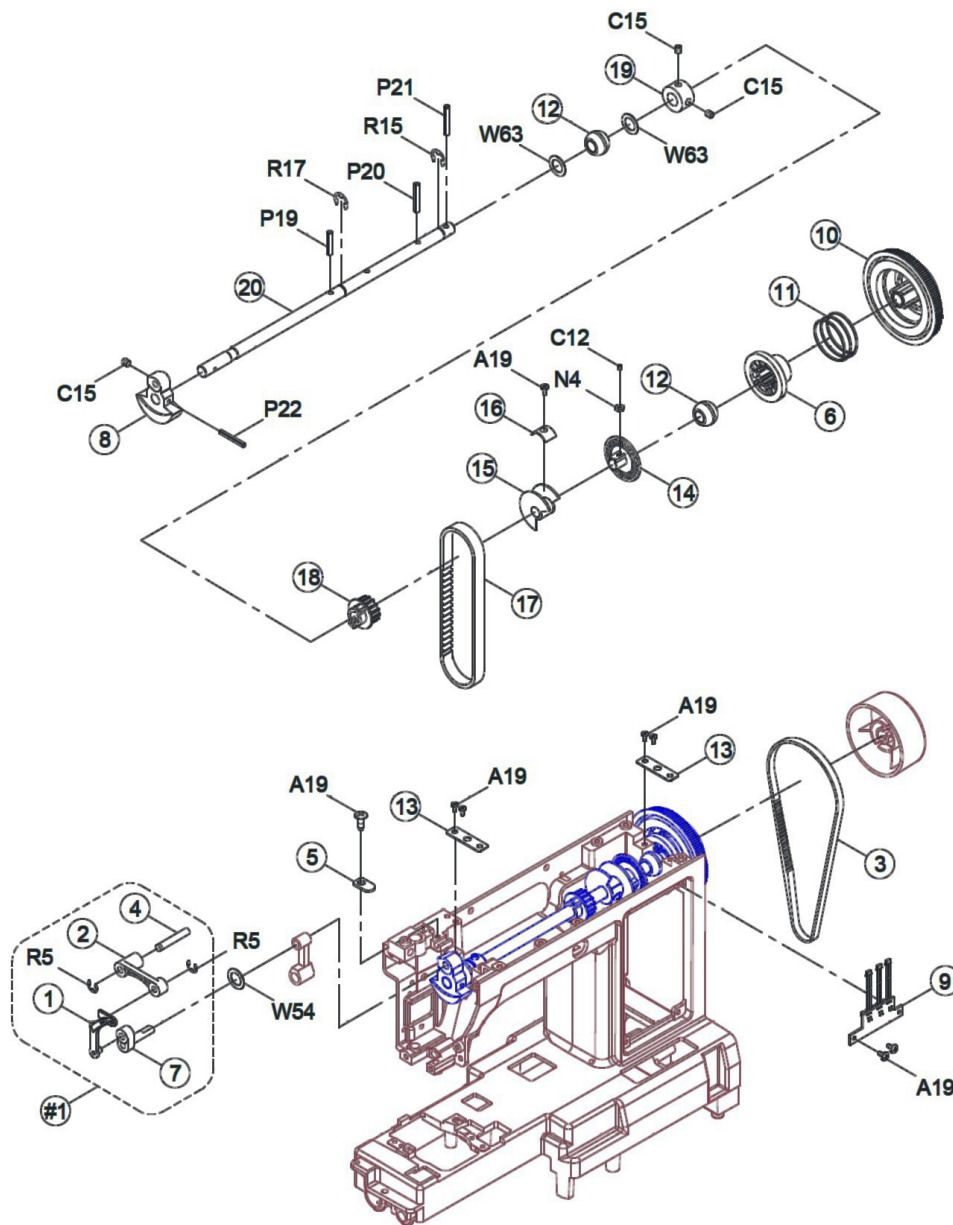
Sew & Go 8

PRINCIPAL COVER COMPONENTS 3



Pos	Item number	Description	Supplier Part no.
-1		Sewing Table cpl	H2HA033892
1	5020206479	Sewing Table Guide	H10133211
2	5020209122	Spring	H10143003
3		SEWING TABLE BODY	H2HZ093892
4	5020209341	Sewing Table Body	H2HA033892
5		Sewing table body felt	H2H0043000
6		CORD REEL COVER	H1A1423892
7	5020209335	Free Arm Foot Bush	H1A1393892
8		PATTERN COVER	H1A1453892
9		FREE ARM BASE	H2HA083892
11		PATTERN PLATE (1)	H2HP013892
12		PATTERN PLATE (3)	H2HP023892
13	5020210049	Tooth lever arm	P3C0483892
A19	5020206112	Screw (M4*0.7*L8)	004240106
B10	5020209825	Screw (M3*0.5*L6)	004230082
B33	5020210228	Set screw (m4x12 b)	004240136
E5	5020209419	Screw (M3*0.5*L8.5)	004230216
R21	5020206096	CS-Ring (CSTW-4.5, □4.3*10*0.25)	003020453

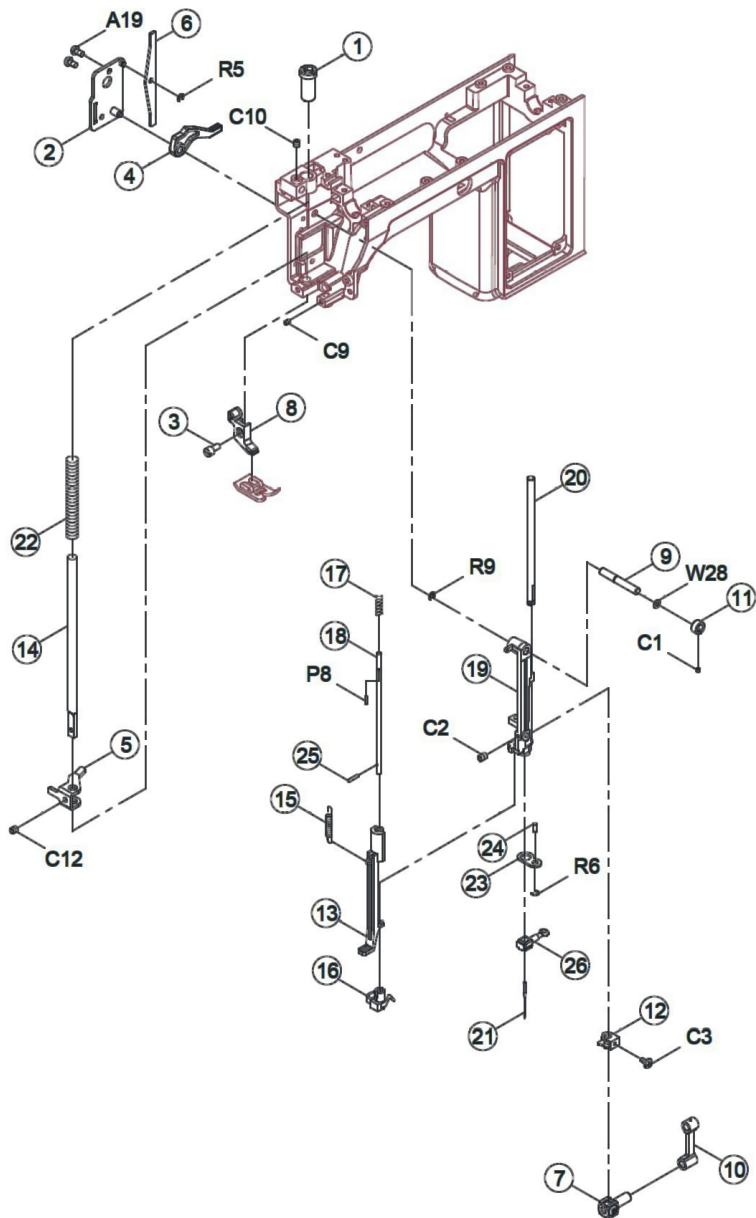
UPPER SHAFT COMPONENTS



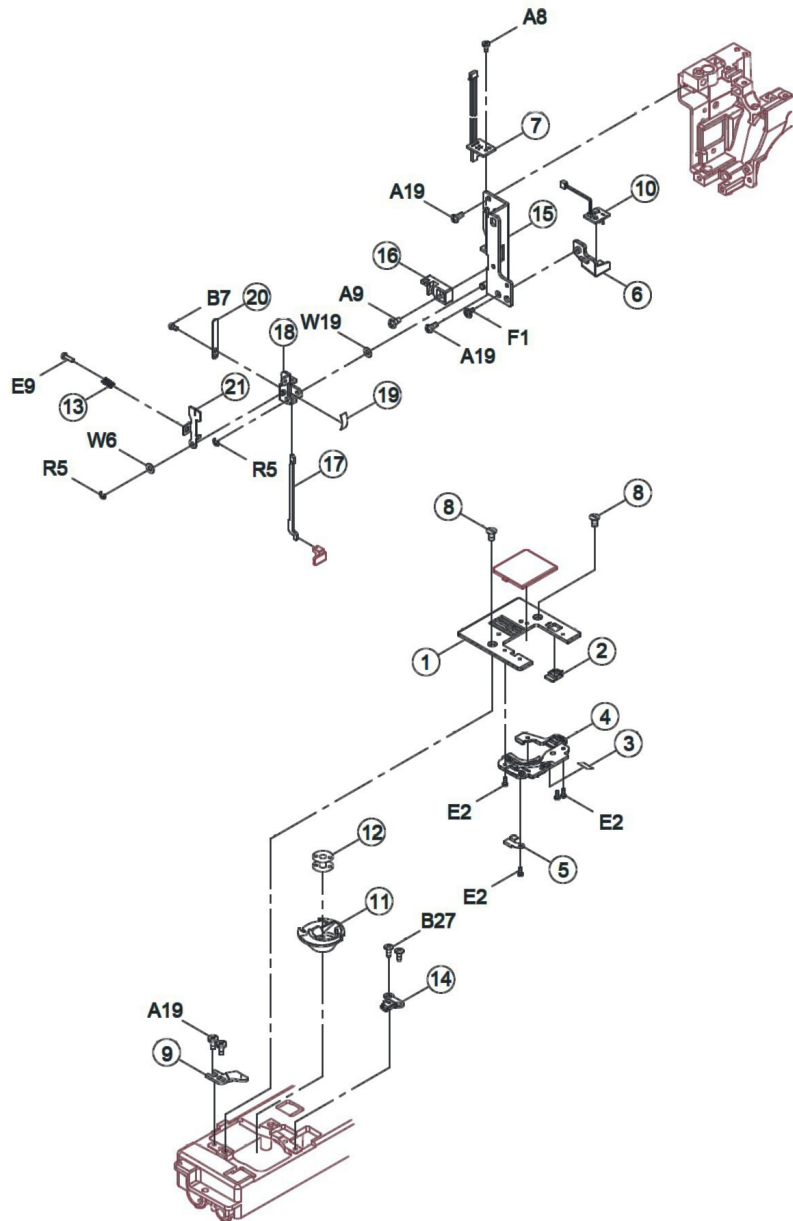
Pos	Item number	Description	Supplier Part no.
-1	5020207826	Thread Take Up Lever cpl	H1A0494000
2	5020205829	Thread Take Up Lever Supporter	E1A2653000
3	5020207840	Motor Drive Belt	00749402M5
4	5020206077	Thread Take Up Lever Supporter	V60223003
5	5020209777	Gasket	H13093003
6	5020207286	Arm Shaft Collar	D5A0583000
10	5020209124	Arm Shaft Driver Belt Pulley	H1A0103000
11	5020207285	Arm Shaft Clutch	D5A0573003
12	5020206337	Arm Shaft Bushing	R10293000
16	5020209477	Set Plate	D3A0043002
17	5020207839	Motor Drive Belt	00742505M6
18	5020209478	Arm Shaft Sprocket	H1A0403000
20	5020209324	ARM SHAFT	H1A0033000
A19	5020206112	Screw (M4*0.7*L8)	004240106
C12	5020206113	Screw (M4*0.7*L6)	004240223
C15	5020206117	Screw (M5*0.8*L5)	004250203
N4	5020206126	Nut (M4*0.7*3)	004840022
P19	5020209481	Spring Pin (□3*L18*0.6)	003043018
P20	5020209105	Spring Pin (□3*L28*0.6)	003043028
P21	5020209106	Spring Pin (□3*L30*0.6)	003043030
P22	5020206336	Pin (□3.5*L24*0.75)	003043524
R5	5020206095	E-Ring (ETW-3, □3.2*□7*0.6)	003010036
R15	5020207834	E-Ring (ETW-8)	003010083
R17	5020209836	E-Ring (ETW-9, □9*□18*0.8)	003010093
W63	5020209472	Washer (□10.2*□15*0.5)	004400080

Sew & Go 8

Needle Bar & Presser Mechanism

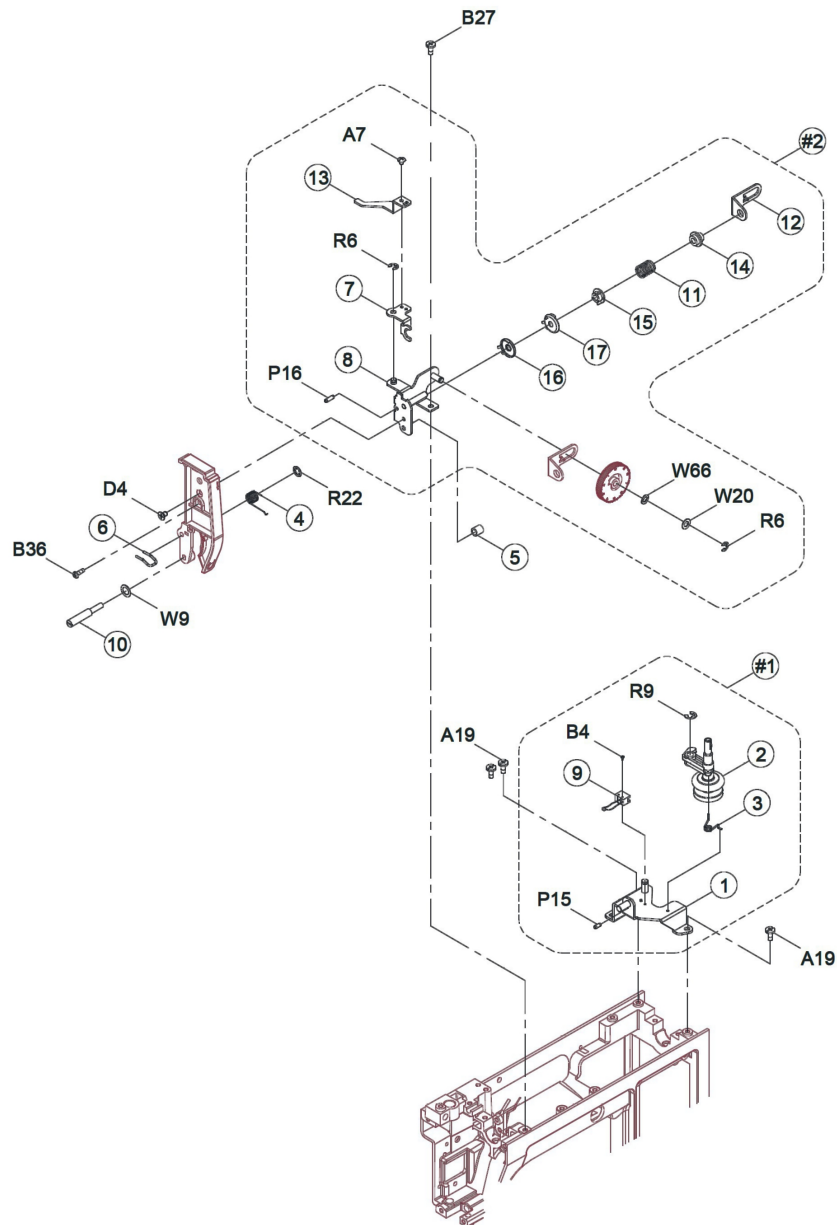


Pos	Item number	Description	Supplier Part no.
3	5020206102	Screw	004106221
4	5020207820	Presser Bar Lifter Lever	H1A0073000
7	5020206216	Needle Bar Bracket cpl	H10195000
8	5020206904	Shank cpl	006D1E0003
9	5020210160	Needle bar supporter pin	H7A0393000
10	5020206214	Needle Bar Crank Rod	F4A3343000
12	5020210163	Threading stopper complete	K7P0145000
13	5020208720	Auto Thread Lever	R10083000
14	5020210150	Presser bar	V70153002
15	5020206179	Auto Thread Lever Spring	M70093000
16	5020205838	Auto Threader	E1A2125000
17	5020210158	Spring	Q6G0303003
19	5020208910	Needle bar supporter	H7A0383000
20	5020208758	Needle Bar	V70273000
22	5020206144	Presser Bar Spring	E1A2493003
23	5020209149	Needle bar swing ring	H7A0773003
24	5020209576	NEEDLE BAR SUPPORTER PLATE PIN	CAA1823000
25	5020210385	Spring Pin	M70043000
26	5020206844	Needle Clamp cpl	TA11034000
A19	5020206112	Screw (M4*0.7*L8)	004240106
C1	5020209755	Screw (M3*0.5*L3)	004230433
C2	5020209972	Screw (M3*0.5*L4)	004230203
C3	5020209557	Screw (M3*0.5*L4)	004230483
C9	5020206116	Screw (M4*0.7*L4)	004240503
C10	5020206108	Screw (M4*0.7*L5)	004240033
C12	5020206113	Screw (M4*0.7*L6)	004240223
P8	5020206098	Spring Pin (□2*L14*0.4)	003042014
R5	5020206095	E-Ring (ETW-3, □3.2*□7*0.6)	003010036
R6	5020207868	E-Ring (ETW-4, □4*□9*0.6)	003010043
R9	5020207869	E-Ring (ETW-5, □5*□11*0.6)	003010053
W28	5020210161	Washer (6.2x12x0.5)	004300186



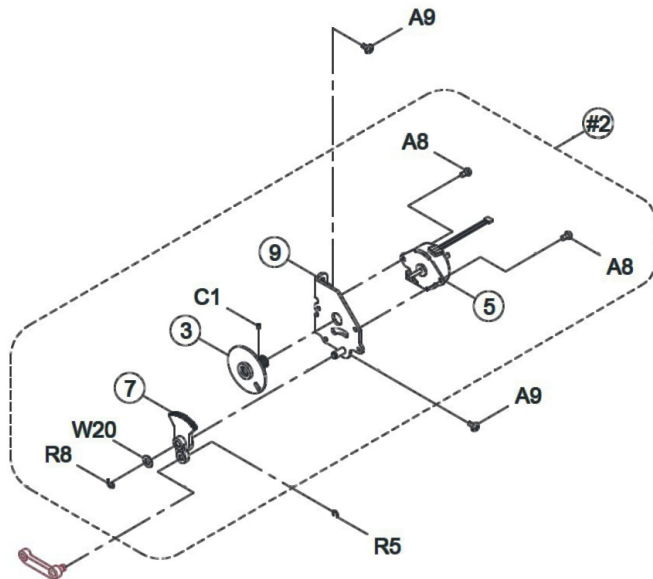
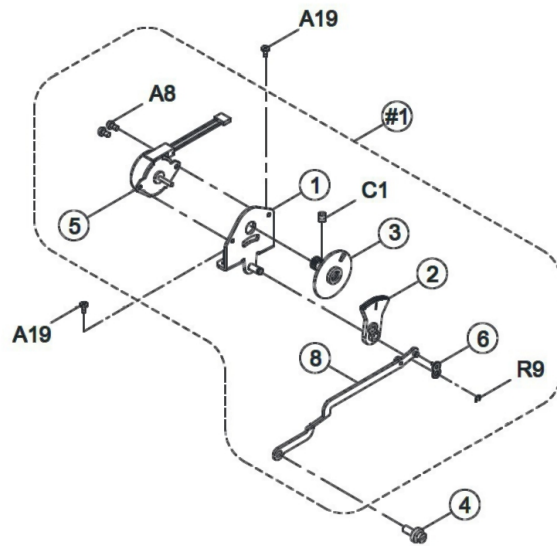
Pos	Item number	Description	Supplier Part no.
1	5020208761	NEEDLE PLATE	H2A0033004
2	5020207862	Needle Plate Cover Open	NB0233000
3	5020210209	Cutter	V630593000
4	5020209340	Needle Plate Support	H2AA013000
5	5020207854	Needle Plate Spring	E1A2603000
7	5020208833	Photosensor	008CAA0010
8	5020205866	Set Screw (M4X6)	004240851
9	5020206142	Rotary Hook Plate	E1A0593002
10	5020209211	LED Lamp cpl	008H2H0003
11	5020208722	Bobbin Case	Q6A0764000
12	5020205923	Bobbin	5020208150
13	5020209643	PULSE SUPPORT SPRING	D3B1293003
14	5020206141	Rotary Hook Plate cpl	E1A0584000
16	5020209646	KI Bewegung Kurbel	P3C0203209
17	5020209133	BH Lever	P3C0183002
18	5020209638	BH Lever Crank Complete	H7A0425000
19	5020210486	BH Spring Plate	H7G0043000
20	5020209640	BH LEVER CRANK SPRING	CFA1053000
21	5020209642	Photo Plate	H7A0413003
A8	5020209077	Screw (M3*L5*0.5)	004230702
A9	5020206545	Screw (M3*0.5*L6)	004230016
A19	5020206112	Screw (M4*0.7*L8)	004240106
B7	5020209641	Set Screw (M3*5B)	004230056
B27	5020206110	Screw (M4*0.7*L6)	004240056
E2	5020209504	Set Screw (M2*0.4*L3)	0042200016
E9	5020209644	Set Screw (M3*0.5*L16)	004230596
F1	5020209567	Set Screw (M3*0.5*L5)	004231016
R5	5020206095	E-Ring (ETW-3, □3.2*□7*0.6)	003010036
W6	5020209645	Washer (4*8*0.5)	004300096
W19	5020209602	Washer (□5.2*□10*0.2)	004300713

BOBBIN WINDER & THREAD TENSION MECHANISM



Pos	Item number	Description	Supplier Part no.
-1	5020209257	Bobbin winder cpl	H2H0074000
-2	5020210483	Tension Supporter cpl	H2H0024000
2	5020207933	Bobbin Winder Crank cpl	K6A0555000
3	5020210361	Bobbin Winder Crank Spring	H2H0063003
4	5020207825	Thread Guide Spring	V60303000
5	5020208933	Tension Guide Roller	H11103001
6	5020207865	Thread guide	P3A1353001
10	5020208934	Screw (M4*14)	004240982
11	5020206209	Dial Tension Spring	K50183003
14	5020207882	Dial Tension Regulator	K50193000
15	5020206208	Dial Tension Regulator	R10593000
16	5020206206	Dial Tension Disc 1	J30423001
17	5020206538	Dial Tension Disc 2	E1A2333001
A19	5020206112	Screw (M4*0.7*L8)	004240106
B4	5020209107	Screw (M2*0.4*7.5)	004220112
B27	5020206110	Screw (M4*0.7*L6)	004240056
B36	5020209163	Screw (M4*15 B)	004240146
D4	5020209164	Screw (M4*6)	004240176
P15	5020206541	Washer (□3*L8*0.6)	003043008
P16	5020210168	Pin (3x10)	003043010
R6	5020207868	E-Ring (ETW-4, □4*□9*0.6)	003010043
R9	5020207869	E-Ring (ETW-5, □5*□11*0.6)	003010053
R22	5020208142	Ring (CSTW-5, □4.8*□10*0.25)	003020053
W9	5020210115	Washer (4.1x8x1)	004300926
W20	5020209605	Washer (5.2*10*0.5)	004300643

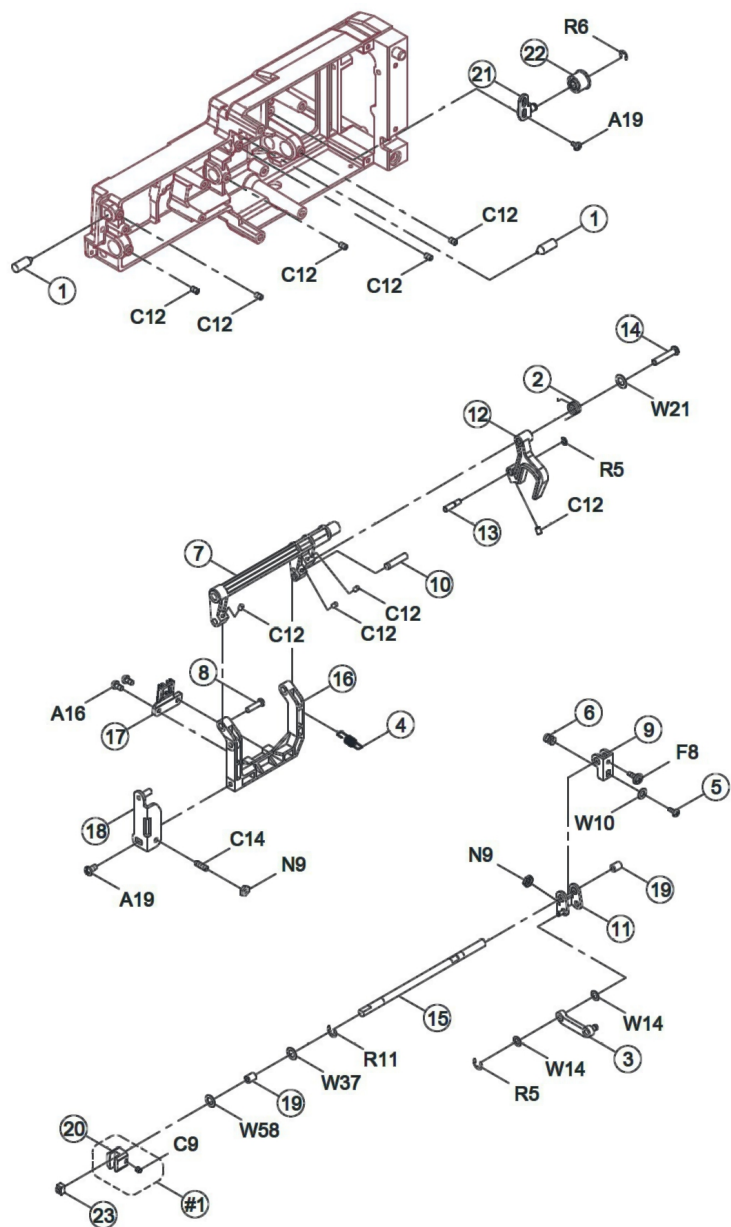
Sew & Go 8



ZIGZAG & FEED MECHANISM

Pos	Item number	Description	Supplier Part no.
-1	5020209267	Zigzag Pulse motor plate	H2A0264000
-2	5020209268	Feed Stepping Motor Bracket cpl	H2A0274000
2	5020209031	Zigzag Crank Gear	H1A1533582
3	5020207821	Pulse Motor Gear	R1A1394000
4	5020209574	NEEDLE BAR DRIVING ROD PIN	E1A2993000
5	5020209579	Motor cpl	001H1C0001
6	P3C0123002	Needle Bar Driving Rod Plate	
7	P3C0243000	Feed Rock Crank Gear	
8	H1A0143003	Needle Bar Driving Rod	
A8	5020209077	Screw (M3*L5*0.5)	004230702
A9	5020206545	Screw (M3*0.5*L6)	004230016
A19	5020206112	Screw (M4*0.7*L8)	004240106
C1	5020209755	Screw (M3*0.5*L3)	004230433
R5	5020206095	E-Ring (ETW-3, □3.2*□7*0.6)	003010036
R8	5020209691	E-Ring (ETW-4, □4*□9*0.6)	003010046
R9	5020207869	E-Ring (ETW-5, □5*□11*0.6)	003010053
W20	5020209605	Washer (5.2*10*0.5)	004300643

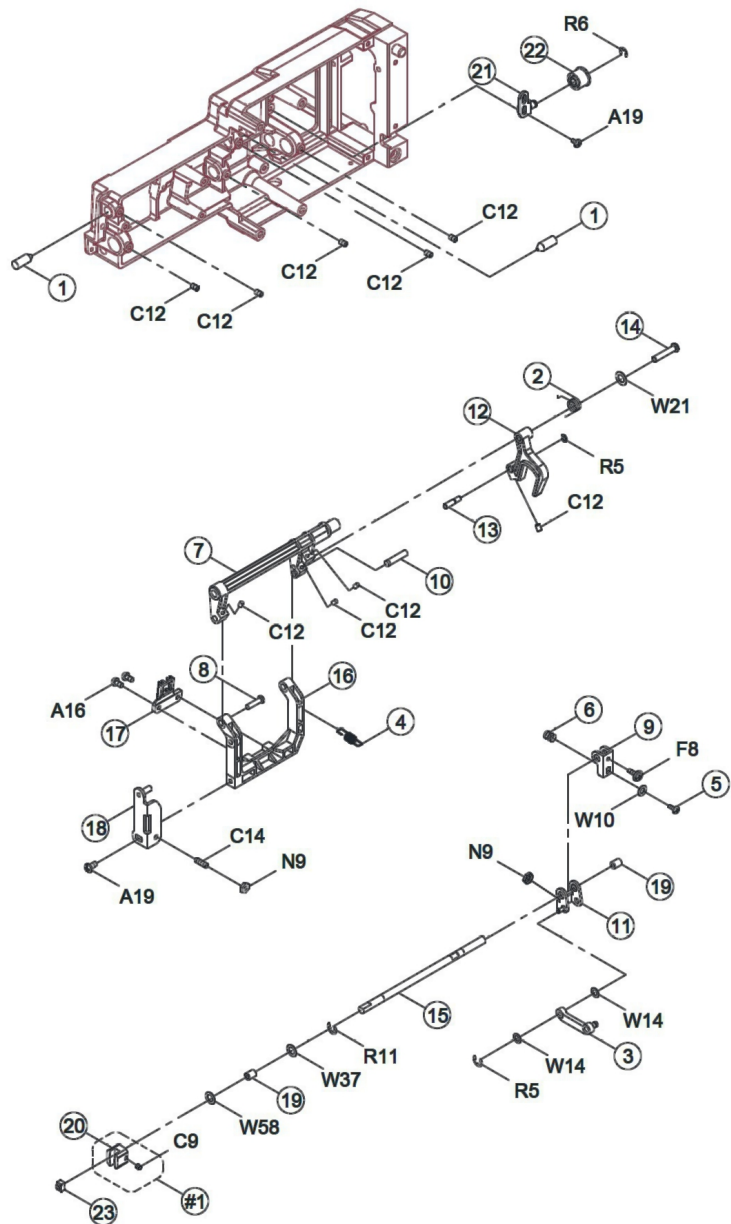
FEED MECHANISM



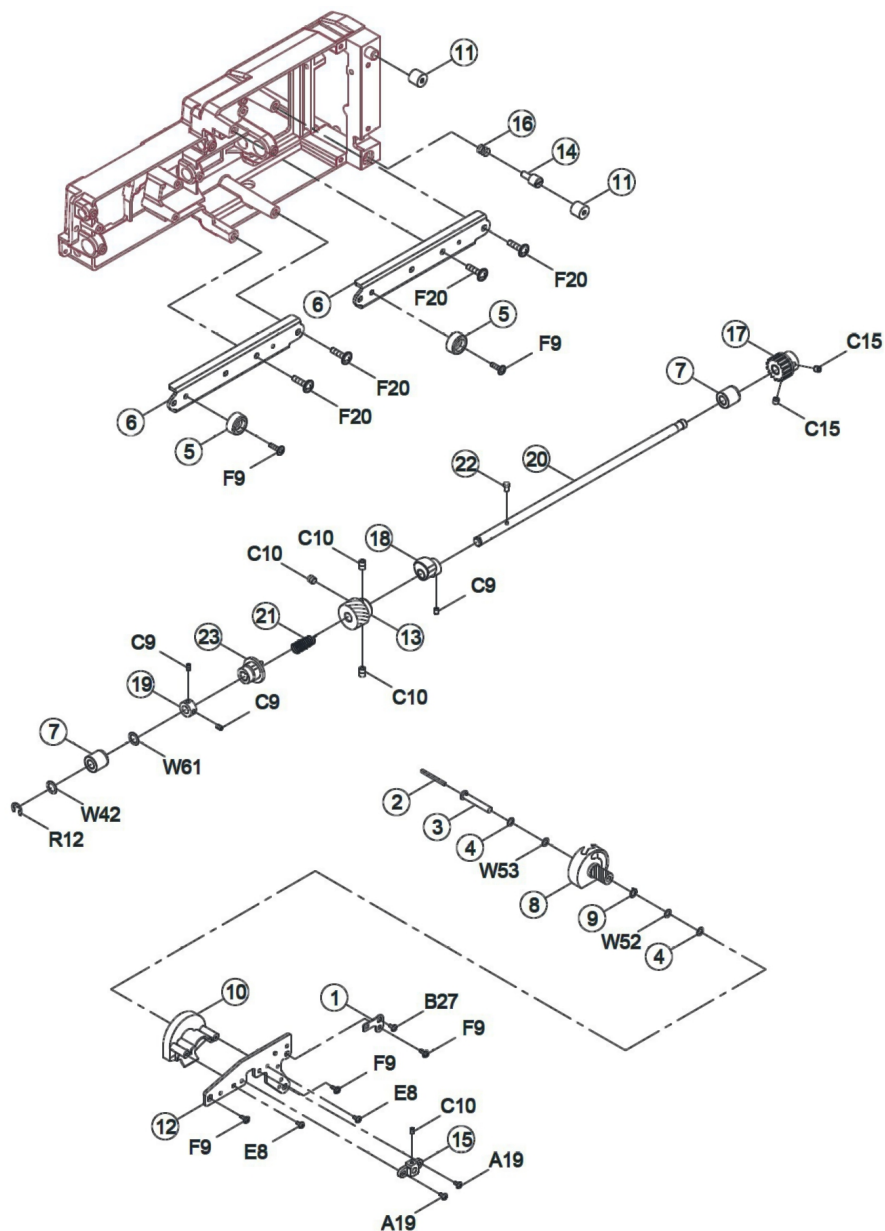
Pos	Item number	Description	Supplier Part no.
-1	5020207853	Feed Regulating cpl	D3A1674000
1	5020210226	Pin	P3A0613000
2	5020210224	Feed rock crank spring	P3A0933003
4	H1G0443003	Feed Dog Spring	
5	004241202	Feed regulating crank set screw (set of 10 pcs)	
6	D1E0783003	Feed Regulating Crank Spring	
7	P3A0513000	Feed Rock Shaft	
8	5020209671	Feed Dog Shaft	P3A0533003
9	CAA1733000	Feed Crank	
10	5020210221	Feed Rock Frame Shaft (2)	E1A0403000
11	D3A0273003	Feed Regulating Crank	
12	5020208752	Feed Rock Crank	P3A0573000
13	5020210223	Regulating block shaft	P3A0593000
14	5020209666	FEED ROCK SHAFT	P3A0583003
15	H1A0203000	Feed Regulating Shaft	
16	P3A0523000	Feed Dog Supporter	
17	5020207885	Feed Dog	H1A0363000
18	5020209172	FEED LIFTING ROCK CRANK	P3A0553002
19	5020210213	Feed Rock Bushing	R11443000
20	5020210212	Feed-Regulating	F30353000
20	5020208935	Feed Regulating	F31393000
21	5020210227	Belt adjusting plate	H1A0433003
22	5020208861	Belt Adjusting Pulley	H1A0453000
23	5020210218	Feed Regulating Block	F30333000
A16	5020209678	Set Screw (M3.5*8A)	004235016
A19	5020206112	Screw (M4*0.7*L8)	004240106
C9	5020206116	Screw (M4*0.7*L4)	004240503
C12	5020206113	Screw (M4*0.7*L6)	004240223
C14	5020209673	Screw (M4*0.7*L9)	004241093
F8	5020209704	Screw (M3*0.5 L=12)	004230776
N9	5020209699	Nut (M4*0.7*2.1)	0048400070
R5	5020206095	E-Ring (ETW-3, □3.2*□7*0.6)	003010036
R6	5020207868	E-Ring (ETW-4, □4*□9*0.6)	003010043
R11	5020210215	E-Ring (ETW-5, □5*□11*0.6)	003011052

Sew & Go 8

FEED MECHANISM



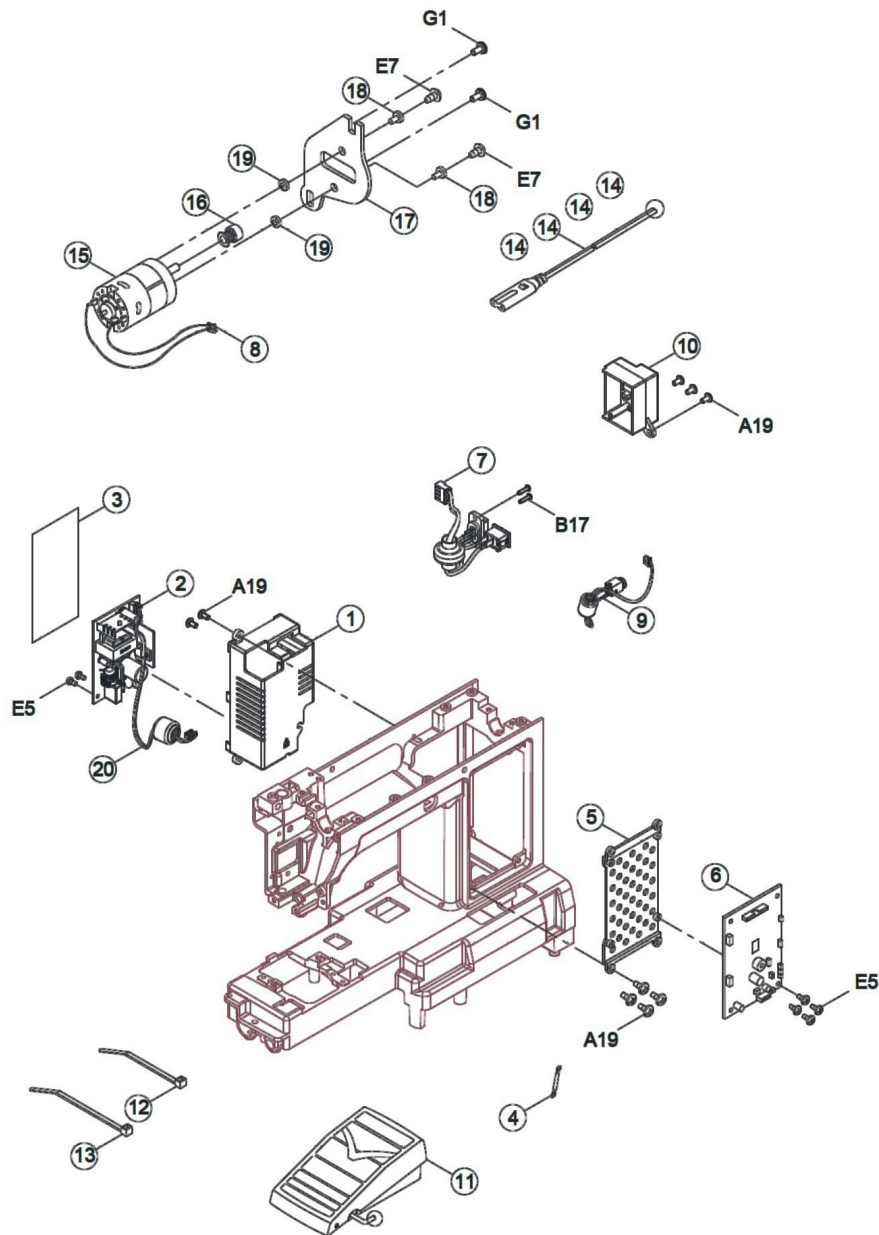
Pos	Item number	Description	Supplier Part no.
W10	5020210137	Washer (4.2x8x0.8)	004300136
W14	004300986	Washer (4.2*10*0.5)	
W21	5020209974	WASHER (5.2X12X1)	004300733
W37	5020210214	Washer (6.7x12x1)	004300123
W58	5020209693	Washer (□6.7*□11.8*0.5)	004400570



Pos	Item number	Description	Supplier Part no.
1	5020210238	Rotary hook holder positioned plate	P3A0493003
2	5020206183	Bobbin Shaft Oil Cloth	NB0693000
3	5020206143	Bobbin Shaft	E1A2033000
4	5020206182	Bobbin Shaft Washer	NB0673000
5	5020209189	FREE ARM BASE CUSHION RUBBER	J31413002
6	5020210291	Free Arm Foot	H1A0413006
7	5020207024	Lower Shaft Bushing	E1A0283000
8	5020208723	Shuttle Hook Holder	Q6A0704000
9	5020206272	Bobbin Shaft Washer	NB0683000
11	5020208920	Free Arm Base Cushion Rubber	H70043002
12	5020210236	Rotary hook holder	H1A0383006
13	5020210231	Lower shaft gear	P3A1853000
14	5020205867	Base Plate Adjustment Screw	K82133006
15	5020210239	Rotary hook supporter	E1A0543000
16	5020205826	Spring	E1A2573006
17	5020210233	Lower shaft belt pulley	H1A0463000
18	5020208753	Feed Rock Cam	H1A1503000
20	5020210359	Lower Shaft	H1A0133000
21	5020207863	Lower Shaft Spring	P3A0443003
22	5020209381	Feed Lifting Rock Cam Pin	P3A0433003
23	5020208754	Feed Lifting Rock Cam	P3A0423000
A19	5020206112	Screw (M4*0.7*L8)	004240106
B27	5020206110	Screw (M4*0.7*L6)	004240056
C9	5020206116	Screw (M4*0.7*L4)	004240503
C10	5020206108	Screw (M4*0.7*L5)	004240033
C15	5020206117	Screw (M5*0.8*L5)	004250203
E8	5020209805	Set Screw (M3*0.5*L12)	004230066
F9	5020208929	Screw (M4*0.7*L8) (SET OF 10)	004240586
F20	5020210052	Set screw (M5*0.8*L10)	004250426
R12	5020206549	E-Ring (ETW-6, □6*□12*0.8)	003010063
W42	5020209683	Washer (□8.2*□12*0.5)	004300936
W52	5020209721	Washer (□6.2*□9.6*0.25)	0044000200
W53	5020206122	Washer (□6.2*□9.6*0.5)	004400840
W61	5020209734	Washer (□8.2*□12*0.5)	004400830

Sew & Go 8

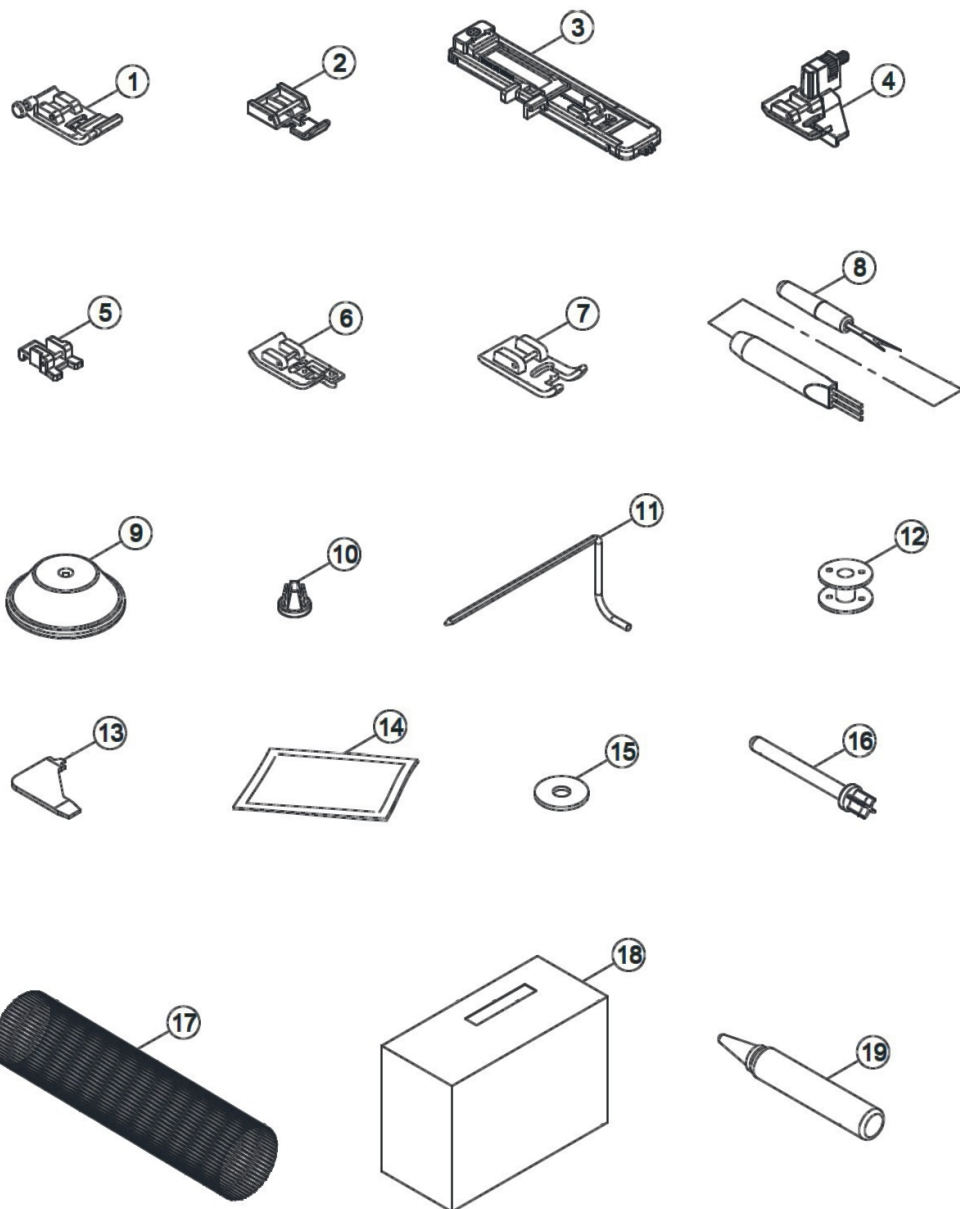
MOTOR, POWER SUPPLY & ELECTRONIC PARTS



Pos	Item number	Description	Supplier Part no.
1	5020207797	HF Transformer Box	H1A0533000
2	5020210337	HF Transformer cpl	008H3J0010
5	5020207981	Main PCB Frame	H1A0543209
6	5020209223	Main-PCB	008H2H0004
6	5020210355	Main PCB	008H2H0001
7	5020209265	Switch Holder cpl (100-120V)	008CFA4003
8	5020209279	DC MOTOR LEAD CORD	008H1A0080
9	5020209238	Controller receptable	008CFA0007
10	5020209338	Receptacle Holder	H1E0153000
11	5020209247	Foot controller sew&go 7/8 EU	002H1E0004
11	5020209327	Foot controller sew&go 7/8 EU	002H1E0001-02
12	5020209800	CORD CLIP	002027129
13	5020210427	Cord Clip	002549129
14-1	5020207151	Supply Cord 230V (EU)	002542118
14-2	5020208892	Supply Cord 120V (USA)	008CAA0045
14-3	5020208779	Supply Cord 230V (SA)	008D1E0036
14-4	5020207346	Supply Cord 230V (UK)	002543318
15	5020209150	Motor	001CAA0002
16	5020207782	Motor Belt Pulley	D5A0663000
18	5020209757	Insulation Spacer	P3C0443000
19	5020209758	Insulation Spacer	P3C0453000
A19	5020206112	Screw (M4*0.7*L8)	004240106
B17	5020210429	Screw (M3*0.5*L12)	004230326
E7	5020209759	Screw (M3*0.5*L10)	004230536
G1	5020209760	Screw (M5*0.8*L12)	0042500096

Sew & Go 8

ACCESSORIES (STANDARD)



Pos	Item number	Description	Supplier Part no.
1	5020206903	Zig Zag Foot	006D1E0004
2	5020205917	Zipper-Foot	006905008
2	5020205999	ZIPPER FOOT	U2-FS3-005
3	5020208786	Buttonhole foot	006H1A0004
4	5020205932	Blind-Hem-Foot	006904008
4	5020206009	BLIND HEM FOOT	U2-FS3-020
5	5020205918	Button-Sewing-Foot	006914008
5	5020205998	BUTTON SEWING FOOT	U2-FS3-004
6	5020207308	Overlock Foot	006D1E0008
7	5020205928	Satin-Stitch-Foot	006172008
7	5020206006	SATIN STITCH FOOT	U2-FS3-017
8	5020205921	Seam Ripper with Brush	006099008
9	5020205926	Spool Holder Big	R12373892
10	5020205927	Spool Holder Small	TA10943892
11	5020210340	Right seam guide	
12	5020208150	Bobbin	006V990004
13	5020205920	L-Screw Driver	006093009
14	5020207487	Needle Set (3X)	006014148
15	5020207090	Spool Pin Felt	006015009
16	5020209202	SPOOL PIN	H3JY013892
17	5020207937	Thread Net	006R1A0032
18	5020209207	Soft Cover	H2HY013916
19	5020205922	Oil Bottle	006013009